

BRACKETS

All Amerex brackets meet the latest UL salt spray requirements (240 hrs. @ 20% salt solution—ASTM B117). 1-year manufacturer's warranty applies to all brackets. Please see *Amerex Parts Catalog* for bracket details.

Wall-Hanger Brackets



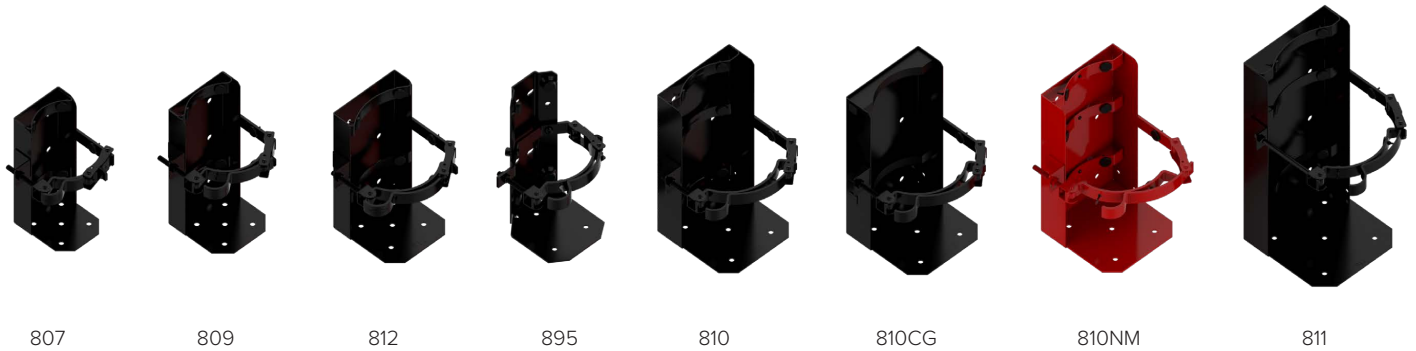
6- & 10-lb. Wall-Strap Type



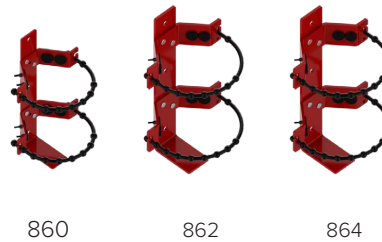
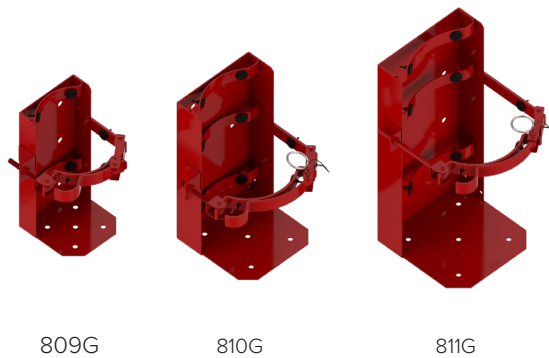
Vehicle/Marine/Aviation Brackets



Heavy-Duty Box-Type Vehicle Brackets (Red Brackets are Galvanized)



Heavy-Duty Rubber-Strap Brackets



Heavy-Duty Dolly Cart



For a full list of our available brackets, please visit www.amerex-fire.com.

EXTINGUISHERS AT-A-GLANCE

AGENT TYPE	SIZE (CAPACITY)	MODEL	CYLINDER DIAMETER (INCH)	INCLUDED BRACKET	USCG BRACKET	OPTIONAL BRACKETS	RUBBER STRAP BRACKETS	859 DOLLY OPTION
WATER	2.5 Gal.	240	7	816 Wall	N/A	810	864	Yes
WET CHEMICAL	6 Liter	C260	7	816 Wall		810	N/A	
	2.5 Gal.	C262	7	816 Wall		810	864	Yes
	6 Liter	C260CG	7	816 Wall	810CG	N/A	N/A	
	2.5 Gal.	C 262CG	7	816 Wall	810CG	N/A	N/A	
WATER MIST	1.75 Gal.	C270	7	816SS Wall	N/A	810, 810NM	N/A	
	2.5 Gal.	C272	7	816SS Wall	N/A	810, 810NM	N/A	
HALOTRON® BRX	1.92 LB.	337TS	3.25	899TS				
	3.55 LB.	339	3.5	893TS				
	3.75 LB.	347TS	3.25	898TS				
	3.75 LB.	349TS	3.25	898TS				
	12.5 LB.	351	5	801 Wall		809		
HALOTRON® I	1.4 LB.	A384T	2.63	845 Vehicle	N/A	845S	N/A	
	2.5 LB.	B385TS	3	817S Vehicle	N/A	817S	860	
	5 LB.	B386T	4.25	818 Vehicle	818, 821, 861H	818S, 821, 821S, 807	860	
	5.5 LB.	B394TS	4.25	818S Aircraft	N/A	818S, 821, 821S, 807	860	
	11 LB.	397	6	802 Wall	812	812	N/A	
	15.5 LB.	398	6	802 Wall	812	812	N/A	
HALON 1211	1.25 LB.	A344T	2.63	845 Vehicle	N/A	845S	N/A	
	2.5 LB.	C352TS	3	817S Aircraft	817	N/A	860	
	3 LB.	C354TS	3	817S Aircraft	817	N/A	860	
	5 LB.	B355T	4.25	818 V	818, 821, 861H	818S, 821, 821S, 807	860	
	9 LB.	B369	5	801 Wall	808, 809	808, 809, 846, 889HB, 895	862	
	13 LB.	B371	5	816 Wall	809	846, 809, 846, 889HB, 895	862	
	17 LB.	361	7	803 Wall	810	810	864	Yes
HT SERIES	12.5	551	5	801 Wall		809		
CARBON DIOXIDE	5 LB.	322	5.25	801 Wall	809	809	862	
	5 LB.	322NM	5.25	801SS Wall	N/A	N/A	N/A	
	10 LB.	330	7	802 Wall	810	810	N/A	
	15 LB.	331	7	802 Wall	810	810	864	Yes
	20 LB.	332	8	20# CO2 Wall	811	811	864	Yes
ABC DRY CHEMICAL	2.5 LB.	B417 / B417T	3	817VM Wall / 817	817	817S	860	
	5 LB.	B402 / B402T	4.25	888 Wall / 818	818, 821, 861H	818S, 821, 821S, 807	860	
	5 LB.	B500 / B500T	4.25	888 Wall / 818	818, 821, 861H	818S, 821, 821S, 807	860	
	5 LB.	B424	4.25	888 Wall	821, 861H	821, 821S, 807	860	
	6 LB.	B443	5	801 Wall	808, 809, 895	808, 809, 889HB, 895	862	
	6 LB.	B461	5	801 Wall	808, 809, 895	808, 809, 846, 889, 895	862	
	10 LB.	B456	5	801 Wall	809, 895	808, 809, 846, 889, 889HB, 895	862	
	10 LB.	B441	5	816 Wall	809, 895	808, 809, 889HB, 895, 846	862	
	20 LB.	A411	7	803 Wall	810	810	864	Yes
20 LB.	423	7	803 Wall	810	810	864	Yes	
PURPLE K DRY CHEMICAL	1 LB.	376T	2.63	846				
	2.5 LB.	377	3					
	2.5 LB.	B410T	3	817	817	817S	860	
	5 LB.	B479 / B479T	4.25	888 Wall / 818 VM	818, 821, 861H	807, 818S, 821, 821S, 861H	860	
	10 LB.	B460	5	816 Wall	809, 895	808, 809, 846, 889HB, 895	862	
	20 LB.	A413	7	803 Wall	810	810	864	Yes
	20 LB.	415	7	803 Wall	810	810	864	Yes
CLASS D DRY POWDER	30 LB.	B570	8	803 Wall	N/A	811	864	Yes
	30 LB.	C571	7	877 Wall	810	810	864	Yes
Z-SERIES HIGH PERFORMANCE	10 LB. (4.5 KG)	711, 712	5	877 Wall	809, 809G	809, 809G	N/A	
	13.2 LB. (6 KG)	713, 716, 790, 793	7	877 Wall	810 & 810G	810 & 810G	N/A	
	20 LB. (9 KG)	714, 717, 791, 794, 795	7	877 Wall	810 & 810G	810 & 810G	864	Yes
	30 LB. (13.6 KG)	715, 718, 792, 796	8	876 Wall	811 & 811G	811 & 811G	864	Yes
HIGH-FLOW DRY CHEMICAL	10 LB.	720, 722	5	816 Wall	809, 895	808, 809, 889HB, 895, 846	862	
	20 LB.	760, 762	7	803 Wall	810	810	864	Yes

